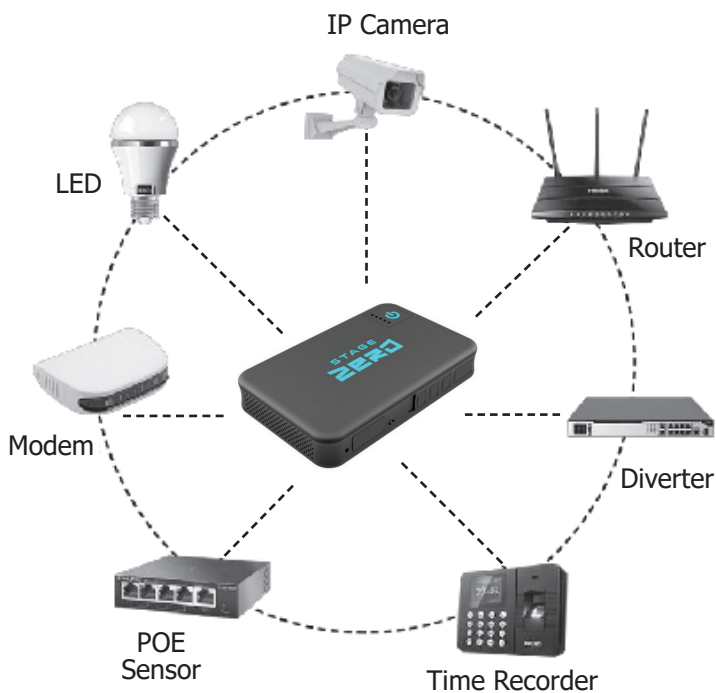


Volta 40 User Manual



Thank you for choosing our **Stage Zero Volta 40** Portable Power Station. Before using this Portable Power Station, please read through the User Manual carefully to ensure you obtain the best possible performance.



1. Stage Zero Volta 40 DC Portable Power Station package

- 1) Volta 40
- 2) AC power cable
- 3) Volta 40 output cables
- 4) User Manual

2. Features

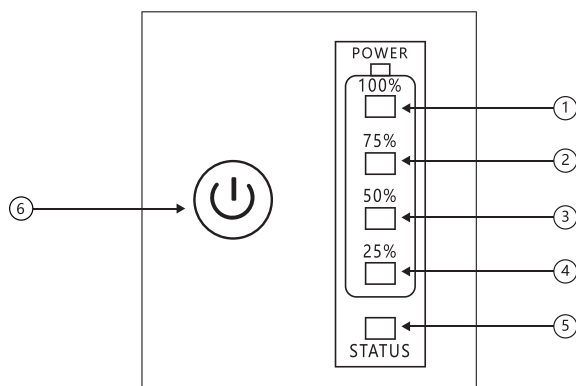
- 1) Built-in adapter allows for a wide AC voltage range 85Vac-265Vac.
- 2) Built-in, high capacity lithium batteries provide long backup time to loads.
- 3) Suitable for most digital devices.
- 4) Power over Ethernet (POE) can transmit the data and power at the same time to simplify wiring and set-up.
- 5) 5V USB output can charge mobile phones, PSPs, PDAs, iPods and MP4 players and more.
- 6) Intelligent circuit design with over-charging, over-discharging and short circuit protection.

3. Operation

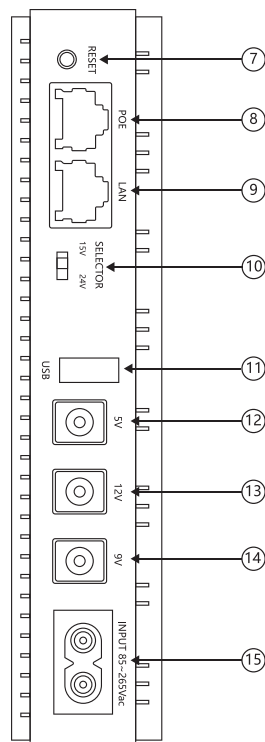
- 1) In order to avoid over-discharging of the lithium batteries, please restart the Portable Power Station when the AC is available after low battery cutoff.
- 2) Before connecting the loads to the Portable Power Station, it is important to check their nominal working voltage, current and polarity, which you can find on their original adapters.
- 3) Please ensure the Portable Power Station battery is fully charged before connecting it to the loads.
- 4) The output power of this model is controlled by total power capacity. The total power of the loads connected to all the ports can't exceed the maximum output power of the Portable Power Station. Otherwise, all the output ports will close, and the Portable Power Station will shut down automatically once the status light flashes for 5 seconds. In this situation, please remove the excess loads.
- 5) Press and hold the power button for 2-3 seconds to switch the Portable Power Station on. The output voltage of POE ports can be selected between 15V and 24V by moving the POE voltage switch. Once plugged into a power supply, the status light turns green to indicate charging. 100% means full of charge. While the Portable Power Station is charging, the power indicator lights will show the battery capacity moving from 25% to 50%, 75% and 100% respectively. When disconnected from the power supply, the status lights turn red for battery backup mode, and the power indicator lights will turn off one by one from 100%, 75%, 50% to 25%. When the light of 25% is flashing, it means that the battery power is very low - simply press and hold the power button for 2-3 seconds to turn off the Portable Power Station and stop output voltage.
- 6) The USB provides stable charging to 5V digital products with their original charging cables.
- 7) The Portable Power Station shuts down automatically when the battery runs low but will restart output power when it begins charging.
- 8) If the Portable Power Station not used for a long time, please keep it full of charge and in a cool place. If it won't turn on after being in storage for too long, plug the Portable Power Station into a power supply to charge until the status lights turn green. We recommend charging the Portable Power Station battery at least once a month.

4. Components

- 1) 100% Battery capacity LED indicator
- 2) 75% battery capacity LED indicator
- 3) 50% battery capacity LED indicator
- 4) 25% battery capacity LED indicator
- 5) Work status indicator
- 6) ON/OFF Switch
- 7) Reset button for POE(Except DC1018C/ DC1018/ DC1036)
- 8) Ethernet output interface
- 9) LAN Ethernet interface
- 10) Output voltage Selector
- 11) USB (5Vdc) output port.
- 12) AC input socket
- 13) Output port(5V)
- 14) Output port(12V)
- 15) Output port(9V)



Volta 40



5. Specifications

Model	Volta 40
Input	85-265Vac/50-60Hz
Output	USB 5V/2A DC 5V/2A DC 9V/2A DC 12V/2A POE 15V/1A POE 24V/1A
Output power (Max.)	36W
Quantity & Capacity of battery	2000mAh* 4 (LifePO4)
Operate temperature	-10°C ~ 40°C
Humidity	10%-90%RH
Dimension	160*105*33mm
Net Weight	0.42kg

6. Warnings

- 1) Double-check the working voltage, current and polarity of the loads before connecting them to the Portable Power Station, then choose the corresponding voltage.
- 2) Please ensure the Portable Power Station is fully charged before initial use.
- 3) Avoid dropping or hitting the Portable Power Station. Don't try to open and repair the unit yourself.
- 4) Don't submerge the Portable Power Station in water or get it wet.
- 5) Don't dispose of the Portable Power Station in fire or heat.
- 6) Don't use the Portable Power Station in any flammable environments.
- 7) Keep the Portable Power Station out of reach of children.